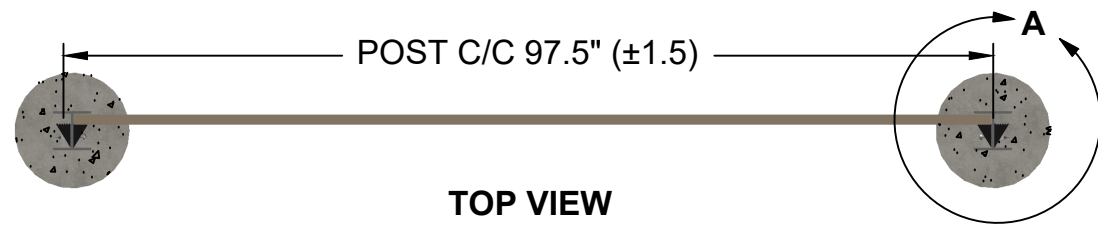
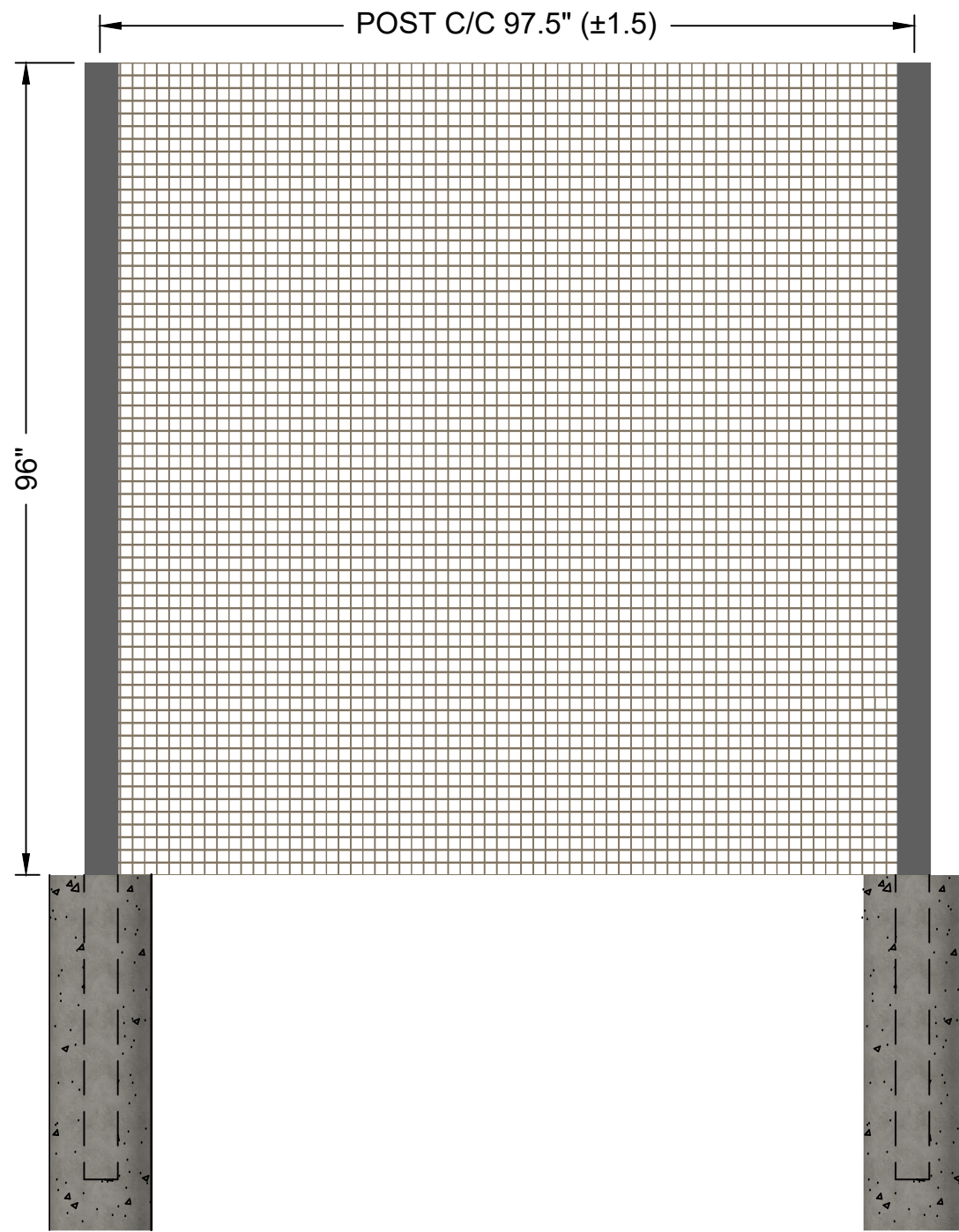


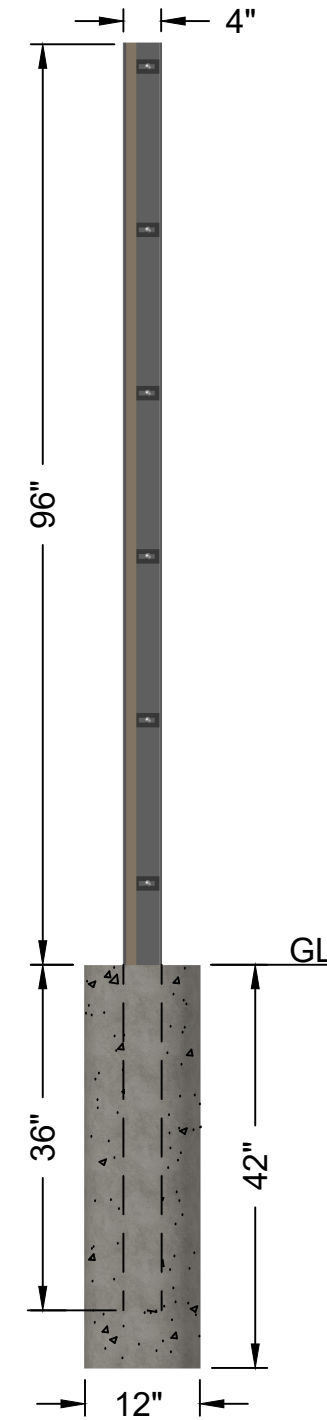
ISOMETRIC VIEW



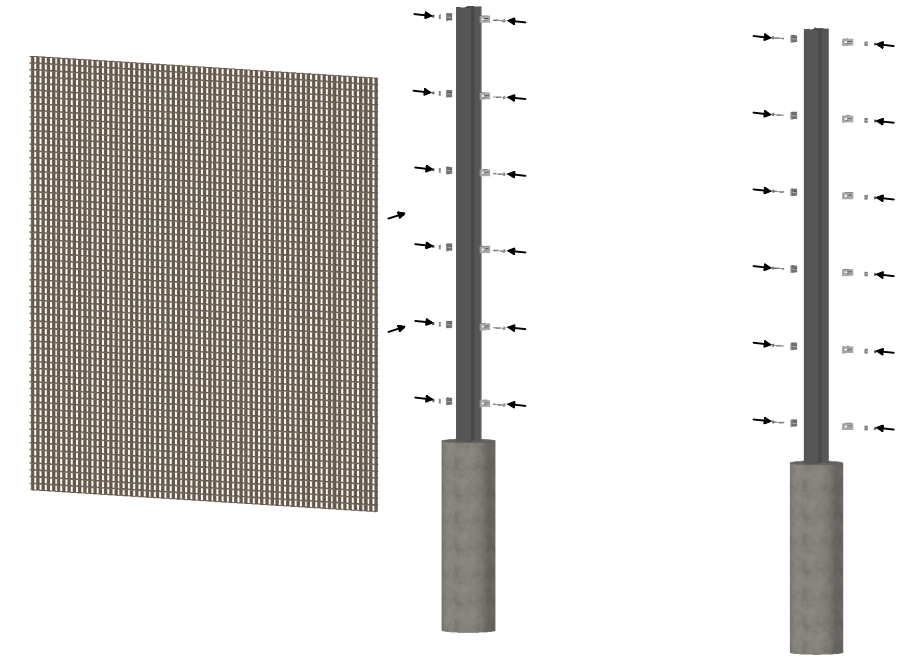
TOP VIEW



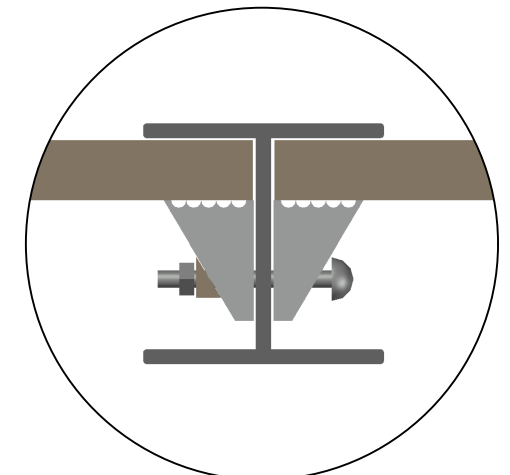
ELEVATION VIEW



SIDE VIEW



EXPLODED VIEW



VIEW A

DESCRIPTION: NON-CONDUCTIVE SECURITY FENCE				PROJECT: STANDARD DRAWING	
REVISION #	DESCRIPTION:	DATE:	BY:	CHECKED BY SN	DATE 10/27/2025
				DRAWN BY BF	SHEET 1 OF 1
				DRAWING #	SCALE NTS



BLACK SECURITY PRODUCTS