

**MPPD – MODULAR PORTABLE PROTECTIVE DEVICE**

ITEM NO.	PART NUMBER	
1	BALLAST - ASSEMBLY	1
2	POST - ASSEMBLY	1
3	BALLAST BEAM	1
4	BEAM PIN	1
5	BALLAST PIN	1
6	BALLAST BEAM CONNECTOR	2
7	INTERMEDIATE POST BEAM	1

D

C

B

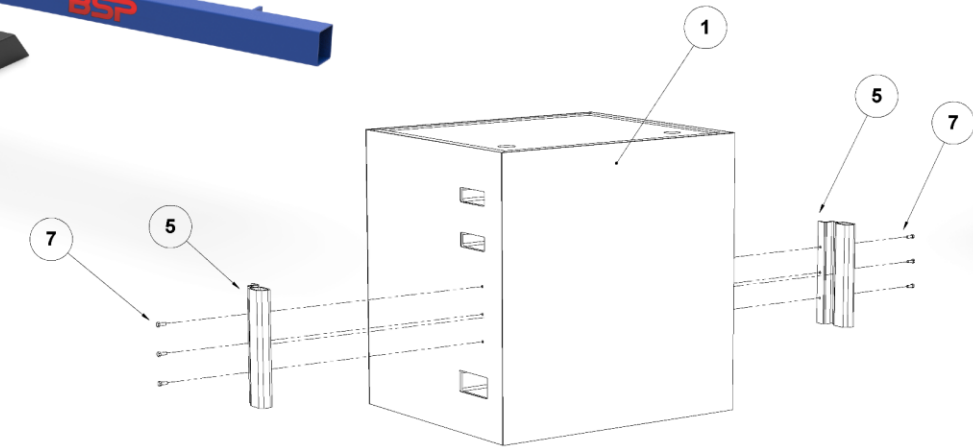
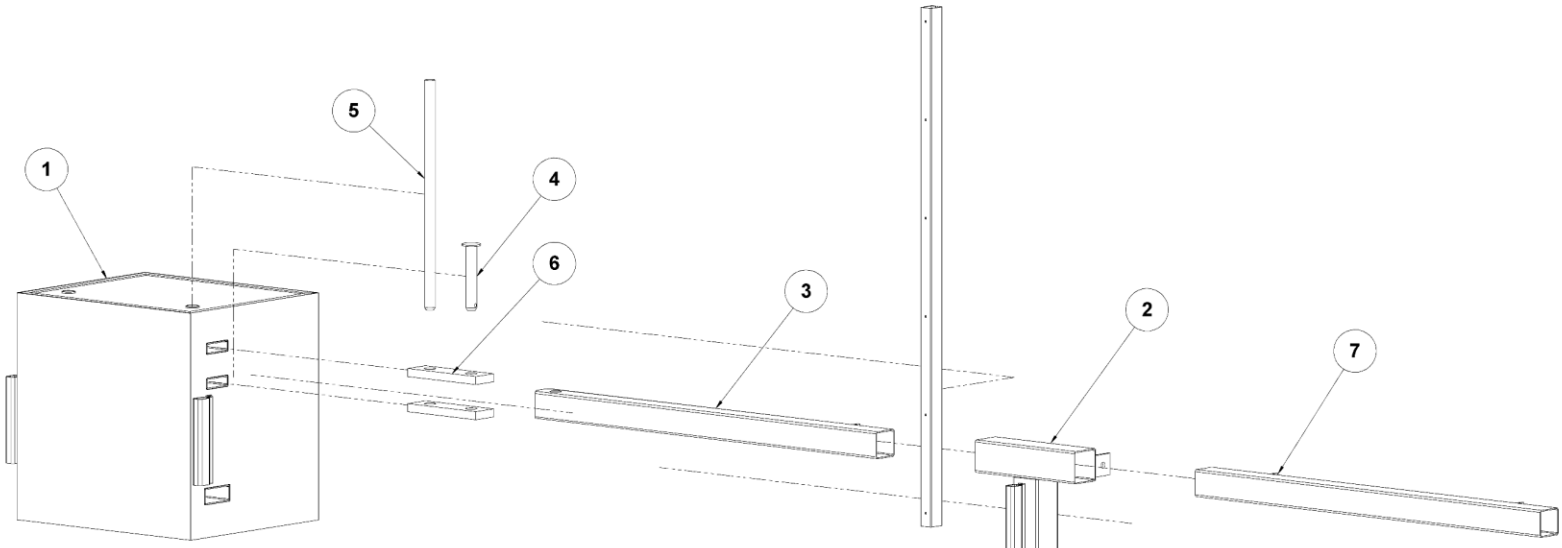
A

D

C

B

A



PROPRIETARY AND CONFIDENTIAL  
 THE INFORMATION CONTAINED IN THIS DRAWING IS THE SOLE PROPERTY OF  
 HARTMAN & ASSOCIATES, INC. ANY REPRODUCTION IN WHOLE OR IN PART  
 WITHOUT THE WRITTEN PERMISSION OF HARTMAN & ASSOCIATES, INC. IS  
 PROHIBITED.

DATE	BY	CHKD	APPV	DATE
03/20/2021	M.L.A.			

REV	DATE	DESCRIPTION
0		

**M30 - MPPD**  
**BALLAST TO POST ASSEMBLY**  
 SIZE DWG. NO. REV  
 D S1.0 0  
 SCALE: NTS WEIGHT: SHEET 2 OF 5

8

7

6

5

4

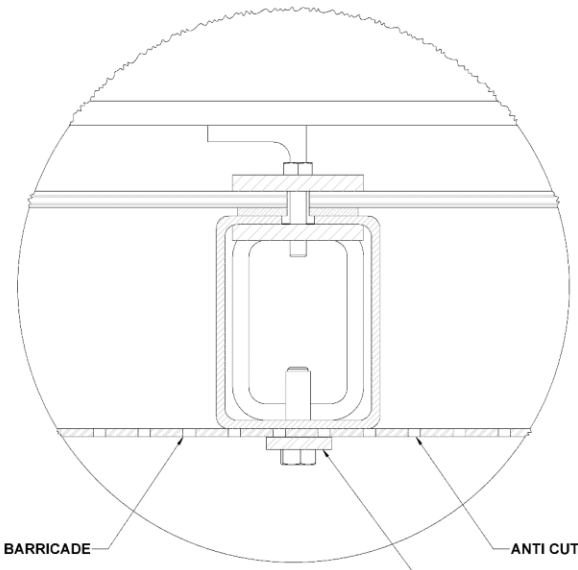
3

2

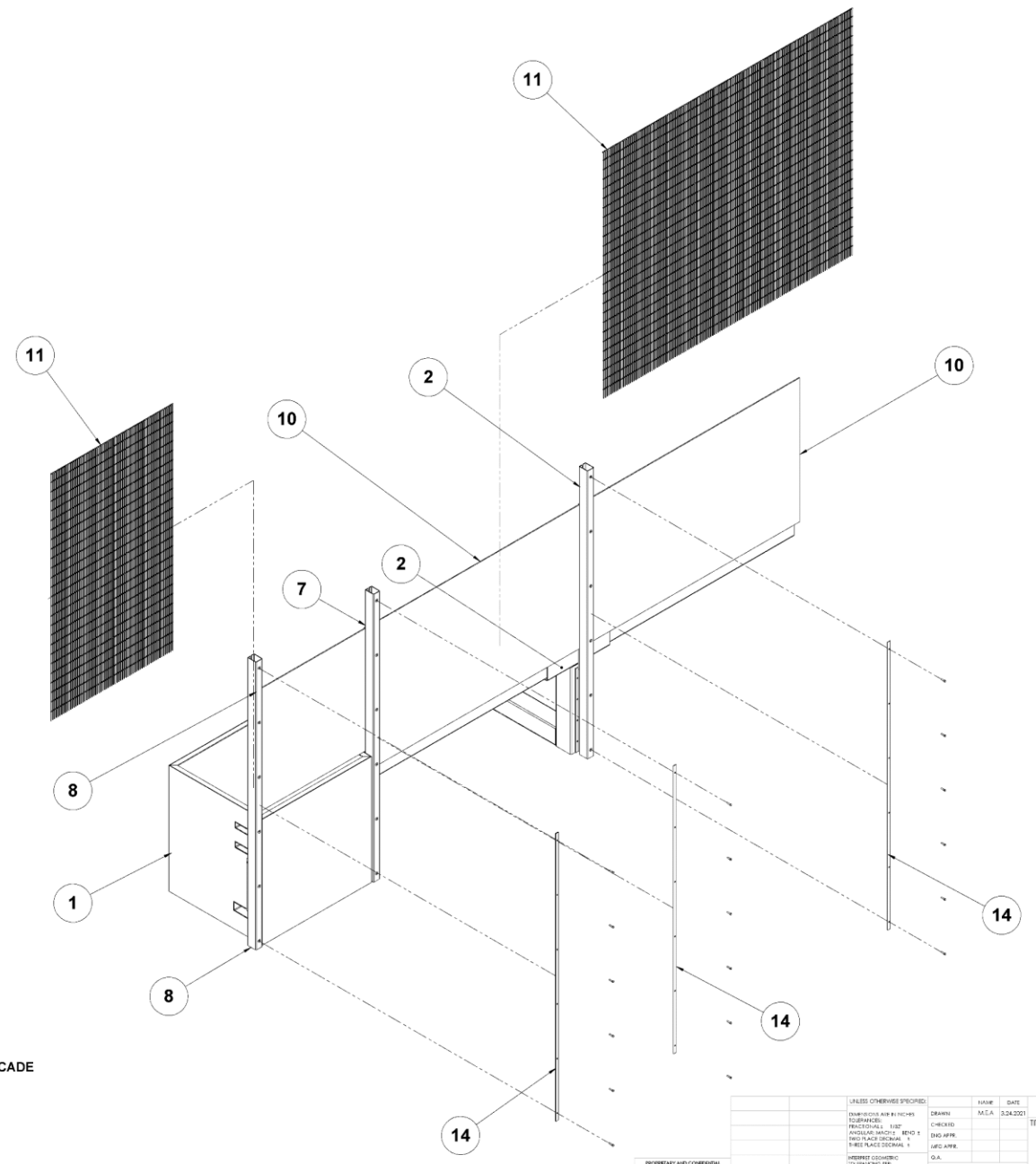
1



ITEM NO.	PART NUMBER	QTY.
1	BALLAST - ASSEMBLY	1
2	POST - ASSEMBLY	1
3	BALLAST BEAM	1
4	BEAM PIN - SMALL 4140 Hardened	1
5	BALLAST PIN - LARGE 4140 Hardened	1
6	BALLAST BEAM CONNECTOR	2
7	ANTI - CLIMB POST	1
8	ANTI_PED_POST	1
9	SHIELD CONNECTOR PLATE - ASSEMBLY	2
10	SHIELD PANEL	1
11	ANTI CLIMB BARRIER	2
12	HHBOLT	1
13	HTNUT	1
14	ANTI CLIMB BARRIER CONNECTOR	3



**DETAIL C**  
SCALE 1 : 1

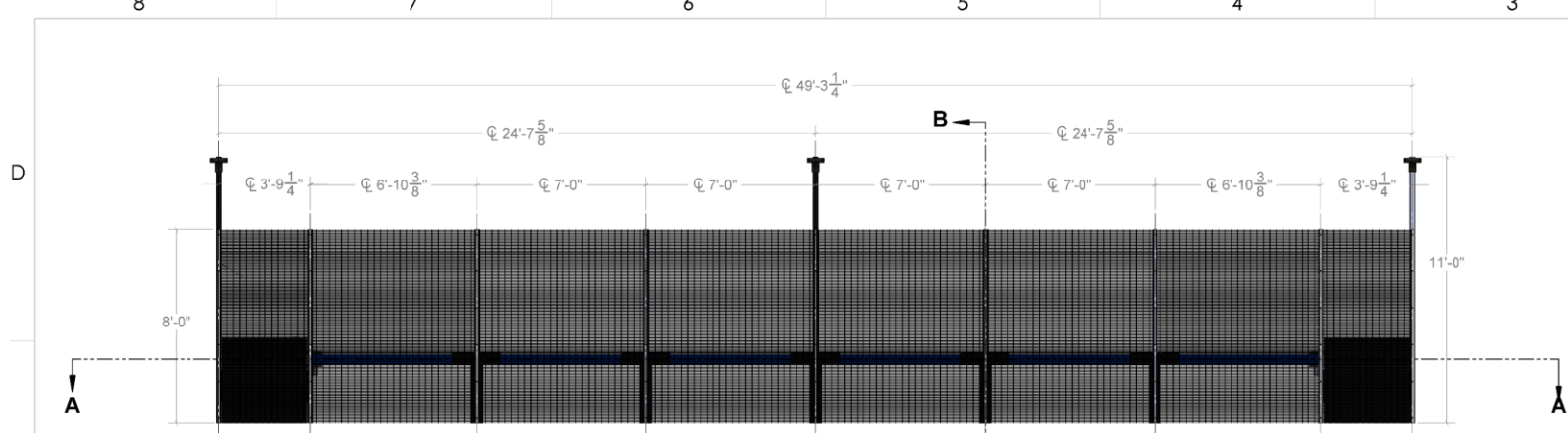


PROPRIETARY AND CONFIDENTIAL  
THE INFORMATION CONTAINED IN THIS DRAWING IS THE SOLE PROPERTY OF HANSON & ARBYN (BRITAIN) LTD. ANY REPRODUCTION IN PART OR AS A WHOLE WITHOUT THE WRITTEN PERMISSION OF HANSON & ARBYN (BRITAIN) LTD. IS PROHIBITED.

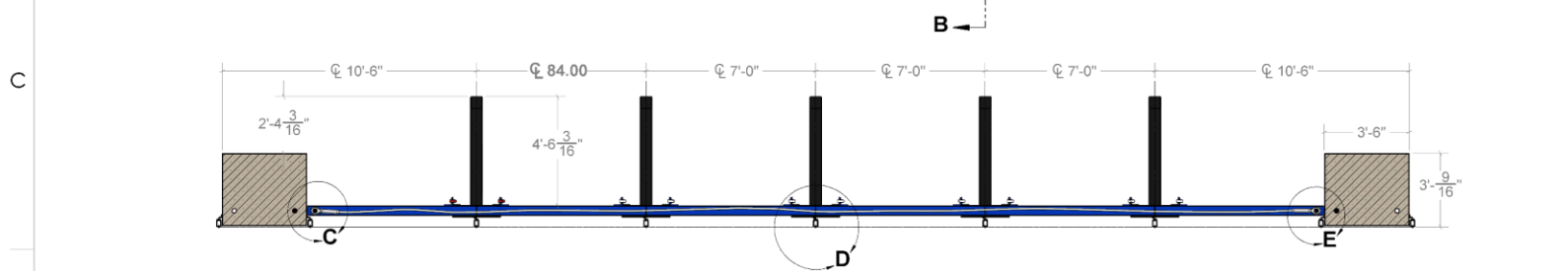
DATE	BY	CHKD	APP'D
03/24/2021	M.L.A.		

M30 - MPPD	
TITLE: ANTI CLIMB / CUT PANEL ASSEMBLY	
SIZE: D	DWG. NO.: S1.2
SCALE: NTS WEIGHT:	REV: 0
	SHEET 4 OF 5

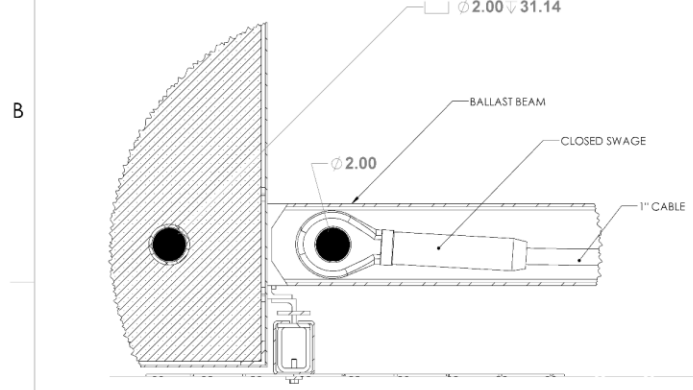




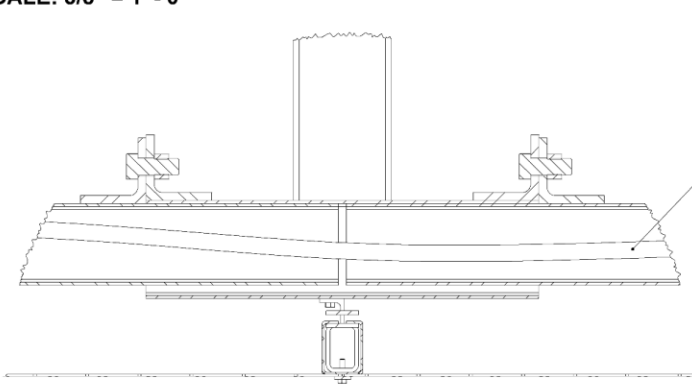
**SECTION A-A**  
SCALE: 3/8" = 1' - 0"



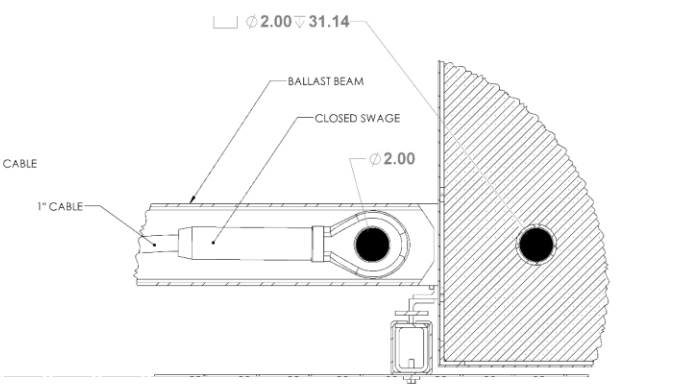
**SECTION B-B**  
SCALE: 3/4" = 1' - 0"



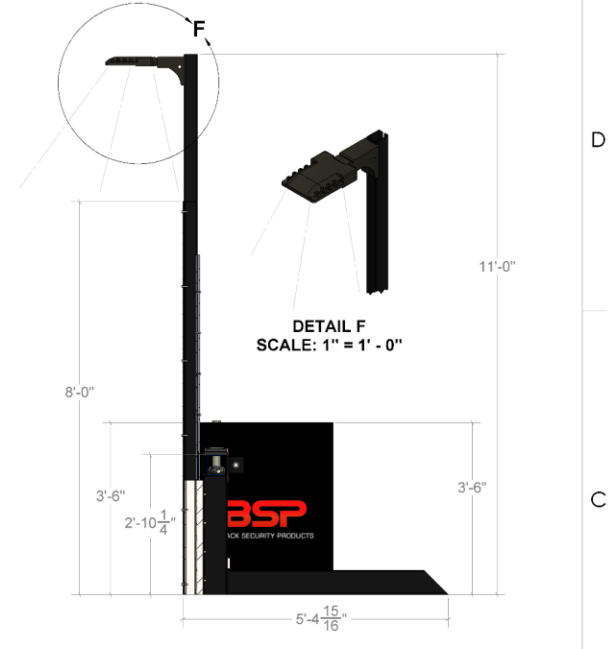
**DETAIL C**  
SCALE: 3" = 1' - 0"



**DETAIL D**  
SCALE: 3" = 1' - 0"



**DETAIL E**  
SCALE: 3" = 1' - 0"



**DETAIL F**  
SCALE: 1" = 1' - 0"

PROPRIETARY AND CONFIDENTIAL  
THIS INFORMATION CONTAINED IN THE DRAWING IS THE SOLE PROPERTY OF HARTMAN & ARBYN (BAYSTACK) INC. ANY REPRODUCTION IN FULL OR AS A PORTION THEREOF WITHOUT THE WRITTEN PERMISSION OF HARTMAN & ARBYN (BAYSTACK) IS PROHIBITED.

DATE	BY	CHKD	APP'D	REV
02/23/2021	M.L.A.			

M30 - MPPD	
MODULAR PORTABLE SECURITY BARRIER	
SIZE: D	DWG. NO.: S1.3
SCALE: IND	WEIGHT: 14380
SHEET 1	OF 2

A A B B C C D D

8 7 6 5 4 3 2 1