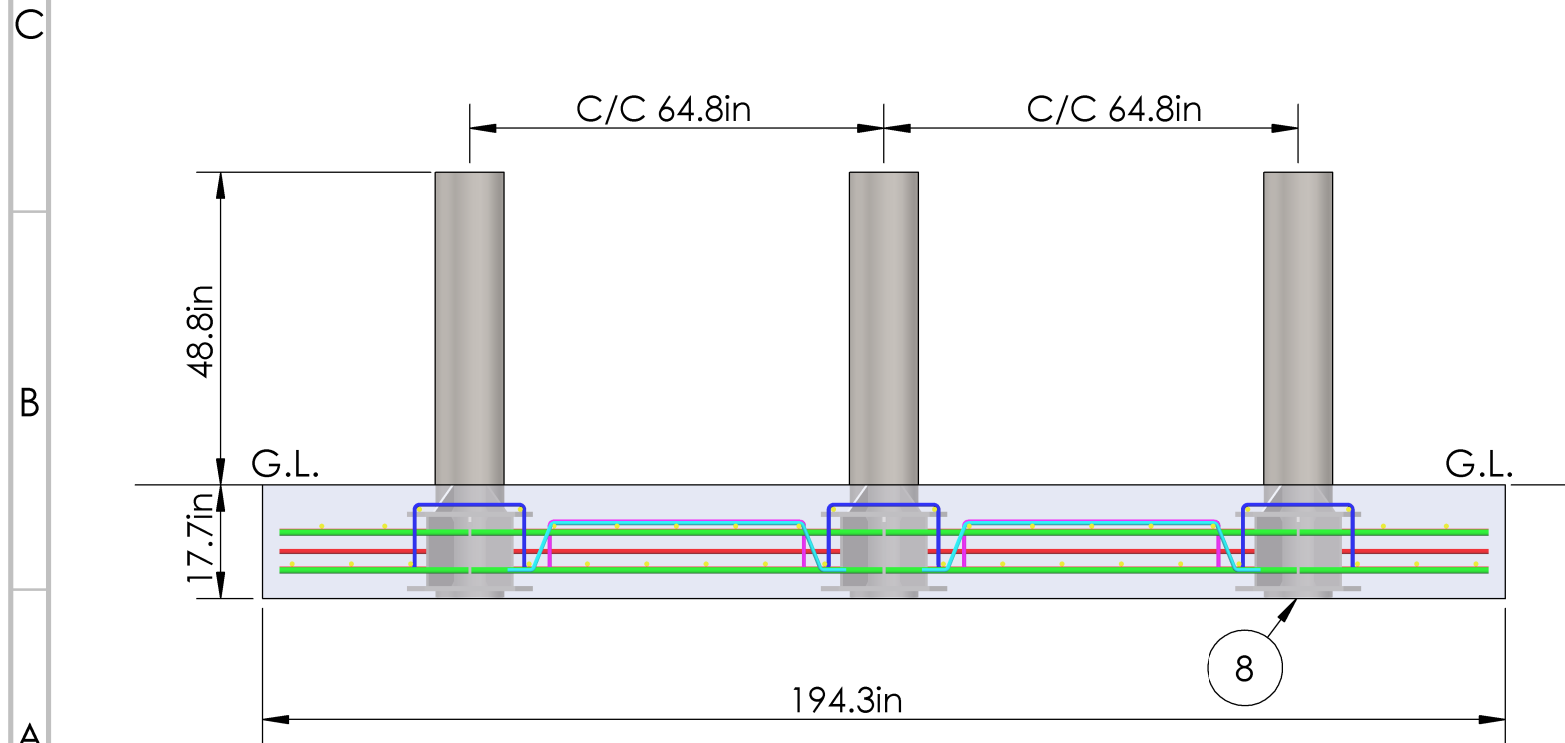
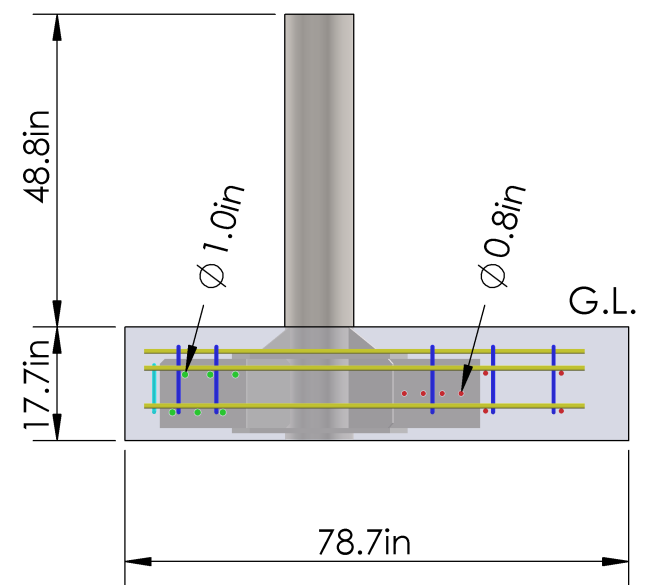


TOP VIEW

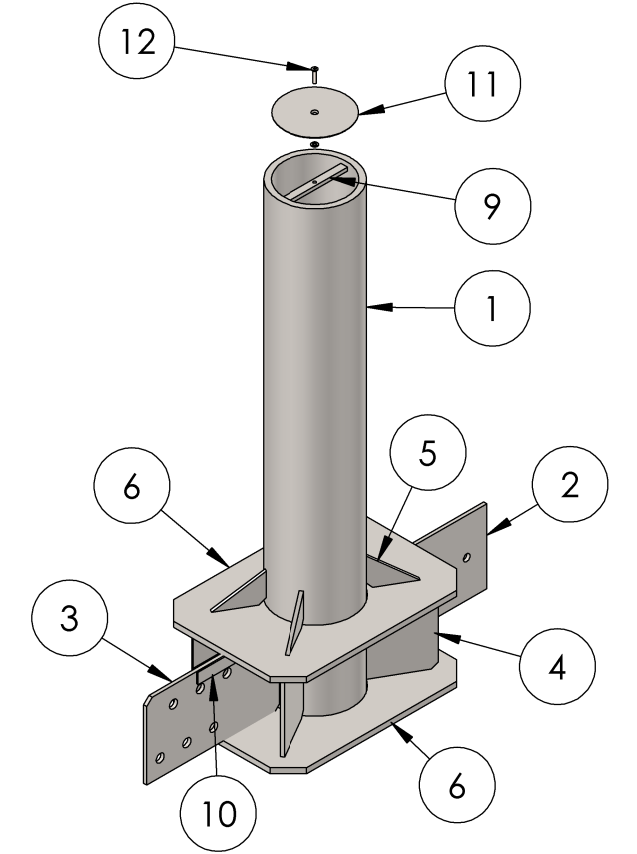


FRONT VIEW



SIDE VIEW

NOTE:- ALL DIMENSIONS ARE IN INCHES.



SR. NO.	ITEM	DESCRIPTION
01	CHS PIPE	OD ϕ 10.75in
02	REBAR HOLDING PLATE WITH FOUR HOLES	19.7x10.8in
03	REBAR HOLDING PLATE WITH 6 HOLES	19.7x10.8in
04	RECTANGULAR RIB	10.8x7.9in
05	TRIANGULAR RIB	5.9x4.2in
06	BOTTOM PLATE	27.6x19.7in
07	CHS PIPE-INSIDE	OD ϕ 8.6in
08	BOTTOM CIRCULAR PLATE	OD ϕ 10.43in
09	LIFTING PLATE	9x1in
10	STIFFENERS PLATE	5.9x1.57
11	CIRCULAR BOLLARD CAP	ϕ 9in
12	BOLT & WASHER	TAMPER PROOF TORX COUNTERSUNK BOLT WITH WASHER

AMERICAS

SECURITY GROUP, LLC

9727 TANNER RD.
HOUSTON, TX 77041

DRAWING TITLE : M50/P1 SHALLOW FOUNDATION BOLLARD

CLIENT NAME :

DRAWING NO. : CS9230640R0

DRAWN BY : MEHUL JADHAV

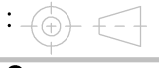
CHECKED BY : ANURUDHH TIWARI

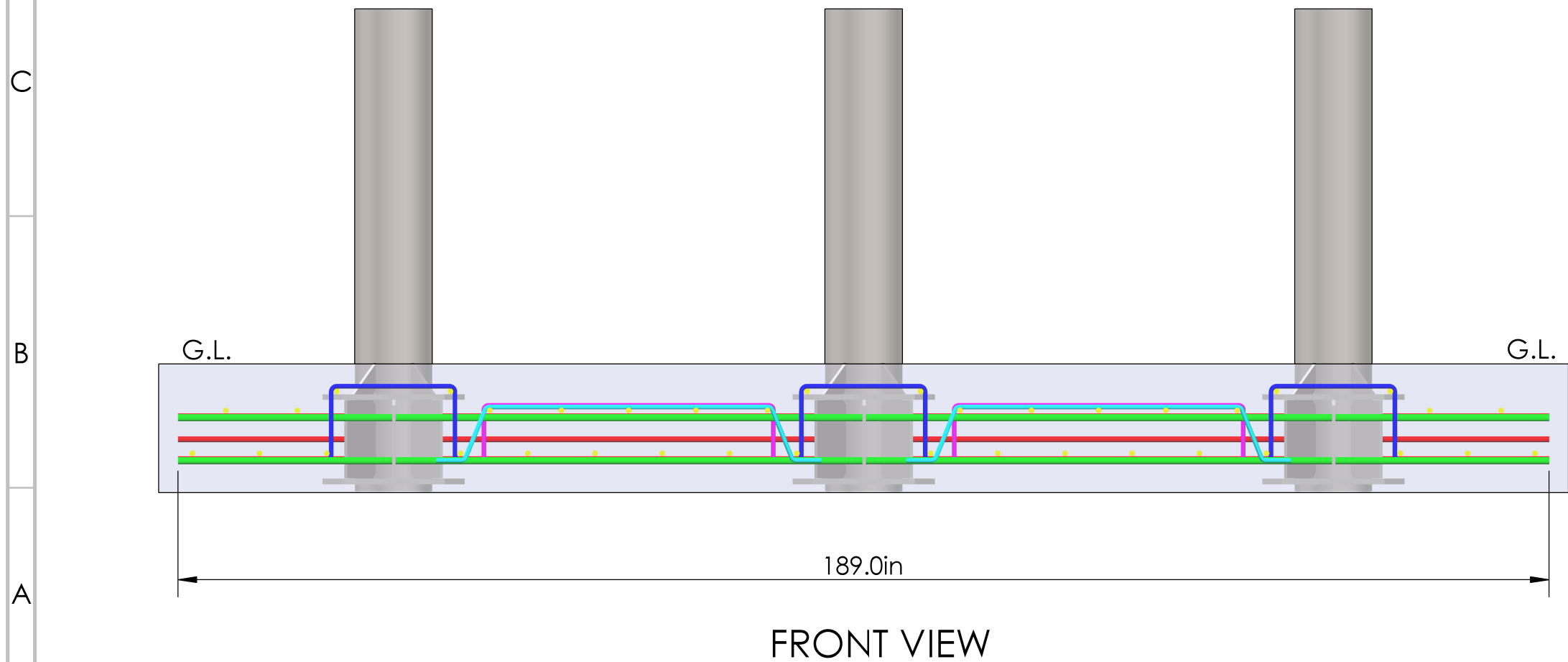
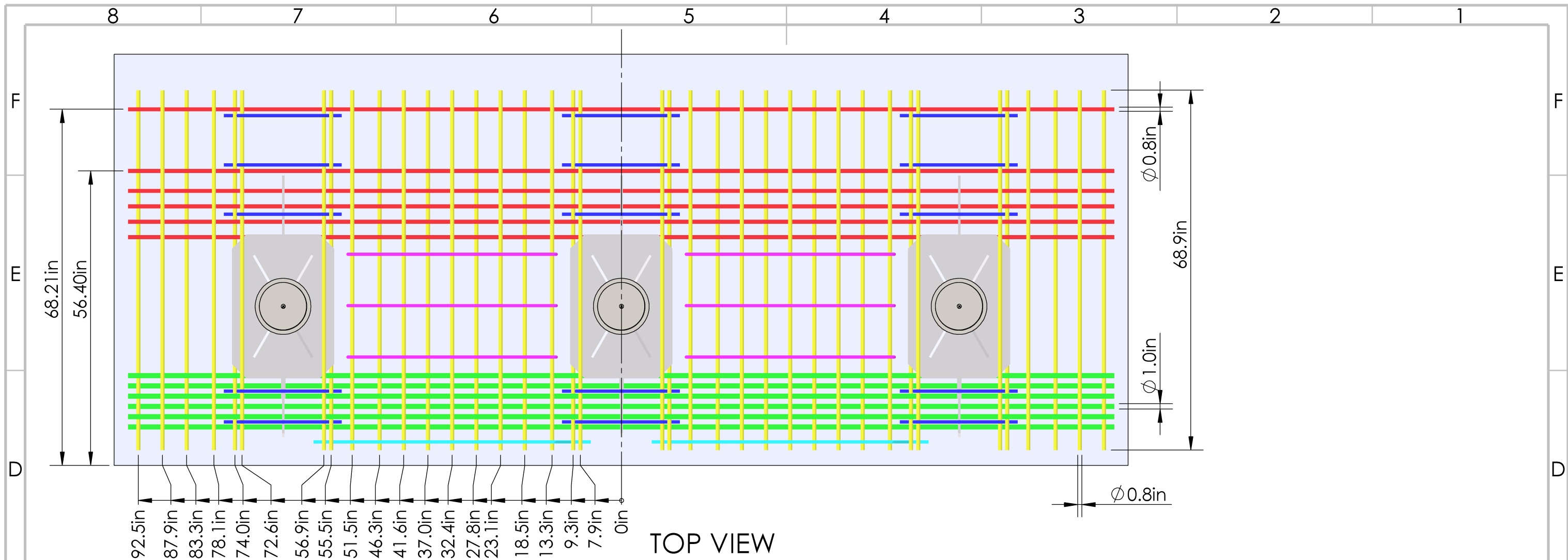
DATE : 02.06.2023

SCALE : NTS

SHEET NO. : 1 OF 4

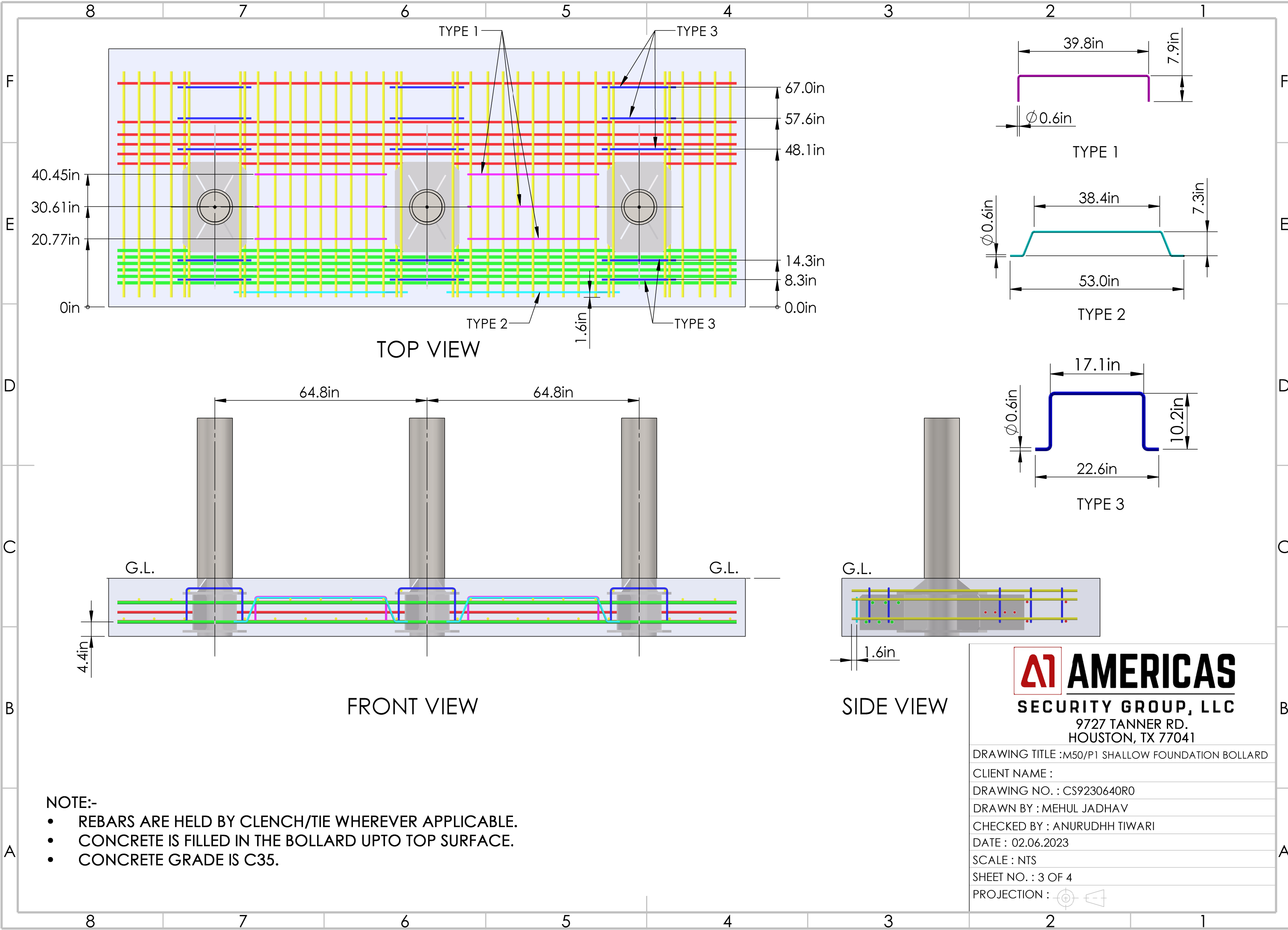
PROJECTION :





AMERICAS
SECURITY GROUP, LLC
 9727 TANNER RD.
 HOUSTON, TX 77041

DRAWING TITLE : M50/P1 SHALLOW FOUNDATION BOLLARD
 CLIENT NAME :
 DRAWING NO. : CS9230640R3
 DRAWN BY : MEHUL JADHAV
 CHECKED BY : ANURUDHH TIWARI
 DATE : 02.06.2023
 SCALE : NTS
 SHEET NO. : 2 OF 4
 PROJECTION :



TOP VIEW

FRONT VIEW

SIDE VIEW

NOTE:-

- REBARS ARE HELD BY CLENCH/TIE WHEREVER APPLICABLE.
- CONCRETE IS FILLED IN THE BOLLARD UPTO TOP SURFACE.
- CONCRETE GRADE IS C35.



SECURITY GROUP, LLC
 9727 TANNER RD.
 HOUSTON, TX 77041

DRAWING TITLE : M50/P1 SHALLOW FOUNDATION BOLLARD

CLIENT NAME :

DRAWING NO. : CS9230640R0

DRAWN BY : MEHUL JADHAV

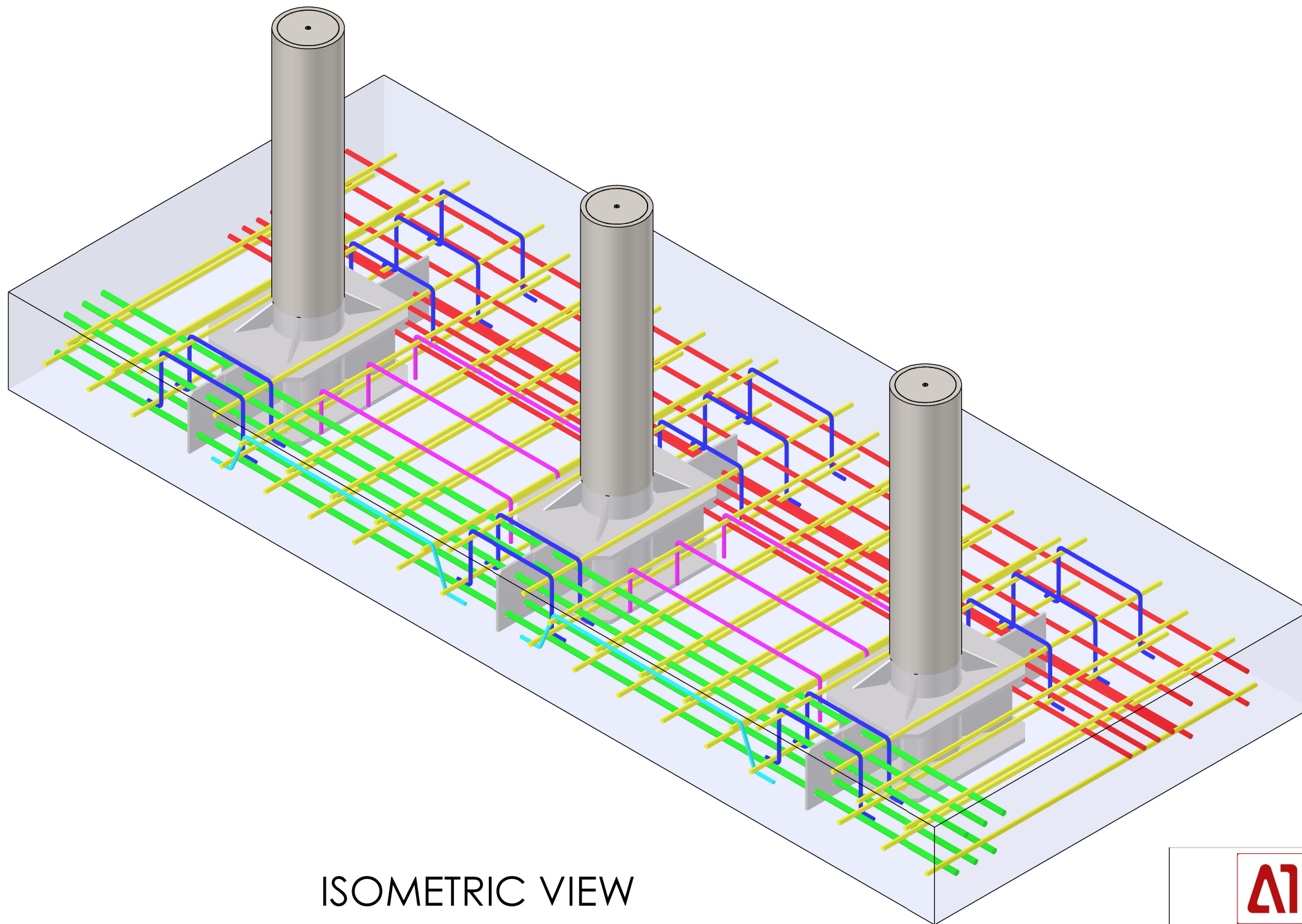
CHECKED BY : ANURUDHH TIWARI

DATE : 02.06.2023

SCALE : NTS

SHEET NO. : 3 OF 4

PROJECTION :



ISOMETRIC VIEW

AMERICAS
SECURITY GROUP, LLC
 9727 TANNER RD.
 HOUSTON, TX 77041

DRAWING TITLE : M50/P1 SHALLOW FOUNDATION BOLLARD

CLIENT NAME :

DRAWING NO. : CS9230640R3

DRAWN BY : MEHUL JADHAV

CHECKED BY : ANURUDHH TIWARI

DATE : 02.06.2023

SCALE : NTS

SHEET NO. : 4 OF 4

PROJECTION : 